

Evacuation Line Maintenance Check List

Clean dental evacuation lines lead to more air flow from the dental vacuum allowing aerosols to be efficiently mitigated. Using a proper solution and engineering device is critical in creating a safer dental visit.

- Daily cleaning of evacuation lines**
Every dental facility needs to clean evacuation lines at the end of each clinical day to remove debris build-up and ensure proper suction flow. Cleaning can be done more often if deemed necessary due to the procedure such as after extractions, periodontal therapy, or the removal of sticky resin restorations.
- Use a cleaner with a pH between 6 – 8**
Use a cleaning solution that meets the EPA's criteria of a pH between 6-8 when diluted and mix it according to the solution's Instructions for Use (IFU).
- Don't use bleach**
The EPA's final rule for dental amalgam waste prohibits the use of bleach or chlorine-containing cleaners that may lead to the dissolution of solid mercury when cleaning chair-side traps and vacuum lines.
- Use a non-foaming cleaner**
The use of a non-foaming cleaner is recommended, especially for use with dry vacuums, as foam cleaners tend to leave the turbine coated with residue and debris, leading to lower performance, loss of suction and eventual pump failure.



Monarch CleanStream Evacuation Line Cleaning Solution

- Unique formulation removes and prevents debris build-up in evacuation lines maintaining peak performance of vacuum flow and suction.
- Cleans and deodorizes evacuation lines for all wet and dry vacuum systems.
- Non-foaming.
- Highly concentrated formula is very economical and 1 bottle yields 125 uses.
- Amalgam separator compatible with a pH of 7-8.
- Non-corrosive, for daily use.
- Safe for clinicians and others who may be exposed to the cleaning liquid.
- Liquid is effective for 5 days if pre-mixed.

- Use an engineering device**
Use an engineering device that has been proven to create a vortex that can clean the full 360° area of evacuation lines and plumbing.



Monarch CleanStream Dispenser with Vortex Technology

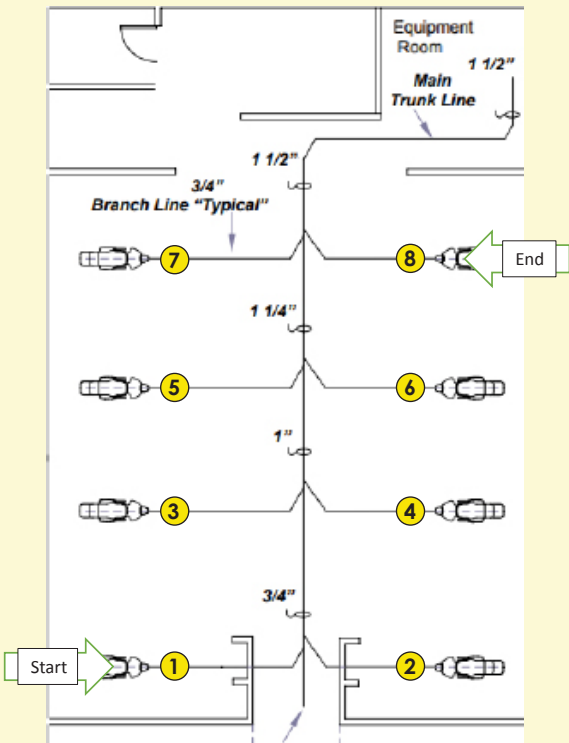
- Creates a vortex of the cleaning solution ensuring a full 360° coverage of evacuation lines resulting in improved suction performance.
- Standardizes the process for maximum efficiency.
- Atomizes the correct amount of solution automatically so you don't use too much or too little.
- Cleans up to 2 HVEs and 1 SE simultaneously hands-free optimizing clinician efficiency.
- One dispenser can clean up to two operatories.
- Recommendation: Have at least 1 dispenser for every 2 operatories and ideally have one for each operatory.

[Watch the CleanStream Vortex Dispenser in action by clicking here](#)

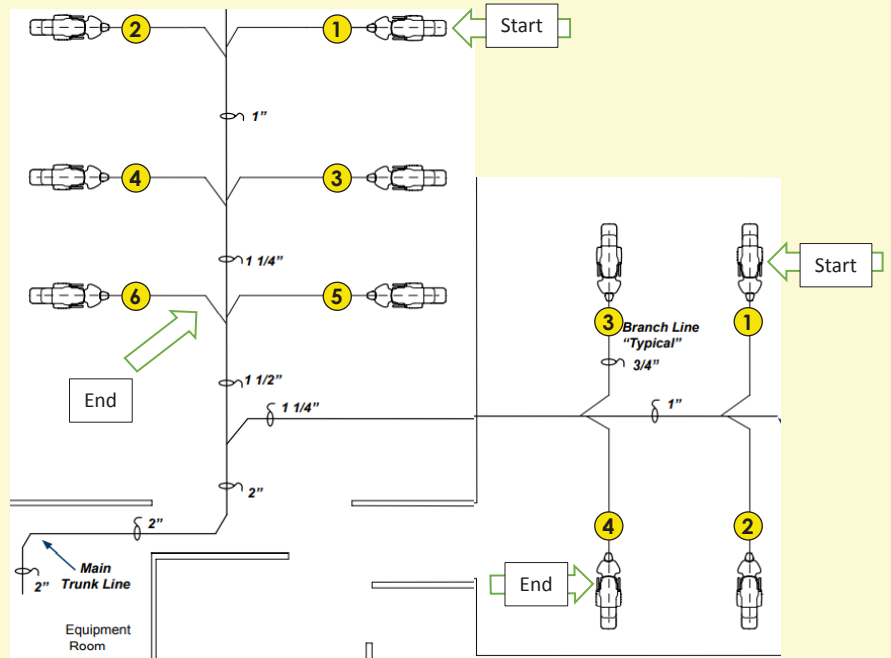
Follow a standard cleaning procedure

The ideal end of the day cleaning process starts with cleaning the room that is the furthest away from the mechanical room and moving closer to the mechanical room. This prevents lines from being re-contaminated.

Linear Office



L Shaped Office



Weekly change of chair side traps

Disposable suction traps should be changed weekly or more often if they become clogged. Before cleaning or changing the trap, it is best to run some evacuation cleaner down the line, followed by water.



Monthly change of the wet vacuum's solids collector

Replace the Intake Solids Collector monthly (or as needed) to ensure peak performance of your equipment.



Order Information

Order No.	Product Description
57850	Monarch CleanStream Evacuation System Cleaner / 84.5 oz.; yields 125 cleanings
57660	Monarch CleanStream Starter Kit / Includes: 1 Dispenser and 1 bottle (33.8 oz.) of CleanStream
57840	Monarch CleanStream Evacuation System Cleaner / 33.8 oz.; yields 50 cleanings
57083	Monarch CleanStream Evacuation System Cleaner / 338 oz.; yields 500 cleanings
57665	CleanStream Dispenser with Vortex Technology / 1 Dispenser with adapters for all suction tubings

For more information visit:

www.airtechniques.com/product-category/north-america/merchandise/equipment/

PN 9922-609 Rev. C

 **Monarch**

by

AIR TECHNIQUES equipped for life®

Surface Disinfection

Instrument Cleaning

Skin & Hand Protection

Equipment Maintenance