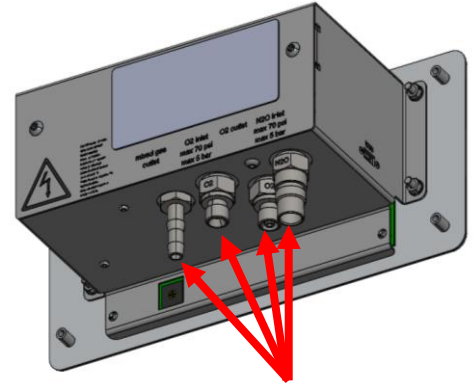


FLOWSTAR TOUCH INSTALLATION INSTRUCTIONS

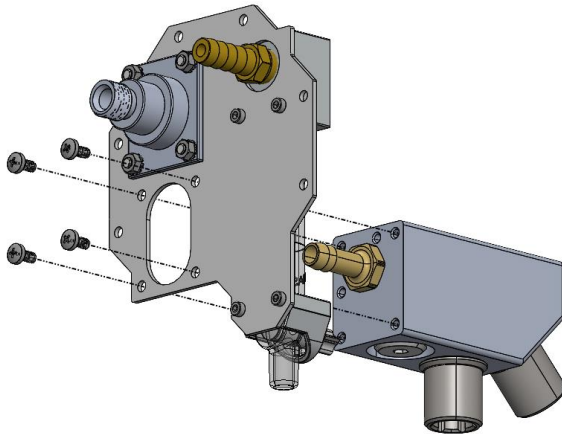
FIXED MOUNT KIT: N53200-K

Services Part Numbers: NFT6420, NFT6420-LPI

1. Install FlowStar Touch Unit in desired location. Locate the O₂ and N₂O inlet fittings, O₂ outlet fitting, and mixed gas outlet barb ***labeled on unit***. Use the 8 foot D.I.S.S. hoses to connect the unit to their respective gas sources. Connect the 5 foot D.I.S.S. hose to the oxygen outlet port. ***If there are space constraints with installation, connect the 90 degree ends of all D.I.S.S. hoses to the unit side***. Connect one end of the mixed gas hose to the mixed gas outlet barb. Feed both the O₂ outlet hose and mixed gas hose down towards the GCS (Gas Control System). Connect the male end of USB extension cable to unit and secure to accessible portion of power cable.

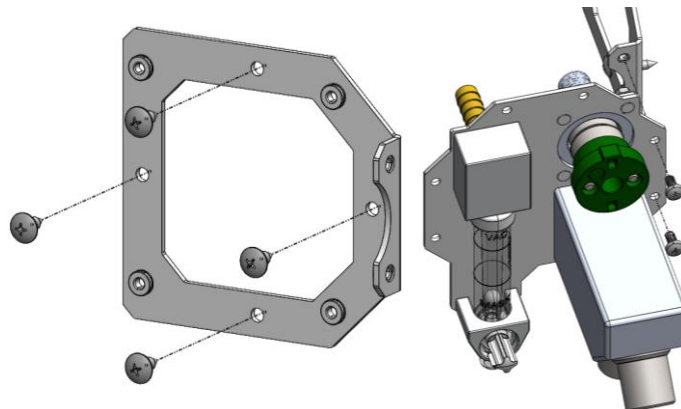


Gas Connections



2. Prepare the GCS. Attach the bag tee to the GCS plate using 4x M4 screws. Locate the mixed gas barb on the bag tee and press on the mixed gas hose fed from the unit. Locate the O₂ outlet fitting on the GCS and attach the O₂ outlet hose from the unit. Lastly, locate the 3/8" vacuum barb and affix the vacuum tubing. Connect the other end to an available vacuum outlet. ***Cut tubes to desired lengths***. ***Hose connections may be made after hardware installation if application requires***.

3. Attach fixed bracket to the desired surface using 4x self tapping 7/16" through the mounting holes. ***Bracket may be mounted left, right or center within cabinet***. Once the bracket is secure, use the remaining 2x M4 screws to affix the assembled GCS to the fixed bracket. Attach the breathing/scavenger circuit and breathing bag to the GCS, check for leaks, and the system is ready for use.



DISTRIBUTED BY
AIR TECHNIQUES
1295 Walt Whitman Road
Melville, New York 11747- 3062
800-247-8324

© Copyright 2024
PN N53200-LIT Rev. A

AIR
TECHNIQUES equipped for life®