

PROVECTA® HD

Intraoral Dental X-ray System

Wall Mounting Plate, 16" C to C, Installation Kit

Part Number: A6330

INSTRUCTION SHEET

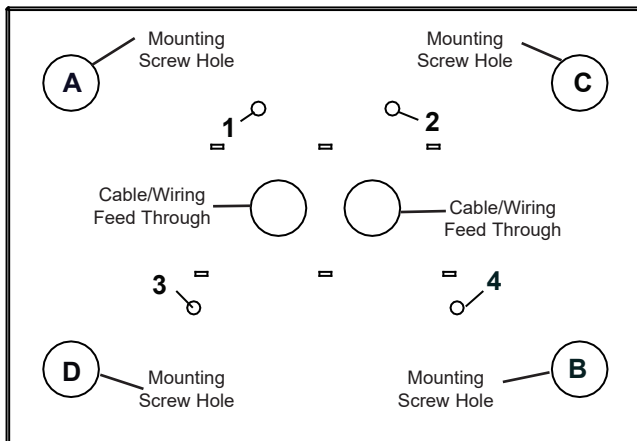
General

The ProVecta HD 16 Center to Center Wall Mount Plate is used to secure the ProVecta HD X-ray unit onto a facility wall via two wooden 2" X 4" (1 1/2" x 3 1/2") wall studs located 16 inches on center apart. This kit is intended for use with wood wall studs and provides appropriate hardware. Use is prohibited on installations with metal wall studs. Make sure to perform the installation using and in accordance with local code.

16 Inch on Center Mount Installation

Install the ProVecta HD using the 16 inch on center mounting method by performing the following procedures.

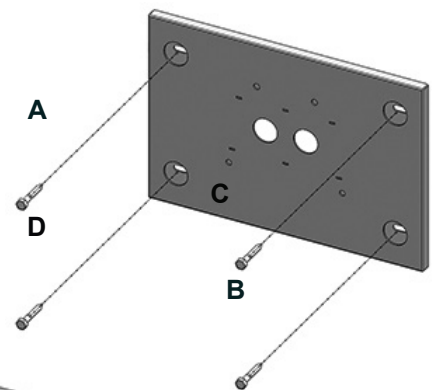
1. Locate the wall studs to mount 16 inch on center wall plate (P/N A6341). Install power and control wiring electrical boxes using template P/N A6343 for proper positioning.
2. Mark template holes at screw holes (A, B, C, D) making sure each is centered on the wooden wall studs.
3. Drill 1/4-inch pilot holes of the wooden wall studs.
4. Mount the 16 inch on center wall plate to wall studs using four 3/8 inch x 3 1/2 inches lag bolts with associated spring washers and flat washers into screw holes (A, B, C, D). Make sure plate is level before tightening bolts.
5. Cover each screw hole by installing four screw hole plugs.
6. Mount the X-Ray Control Unit onto 16 inch on center wall plate by aligning screw holes and installing four 1/4 inch x 20 inches hex head bolts with associated spring washers and flat washers into screw holes (1, 2, 3, 4).
7. Level plate and tighten bolts making sure plate stays level.
8. Continue with ProVecta HD installation.



Caution: Load Capacity

The wall support and mounting hardware for installing the ProVecta HD using the 16 center to center wall mount plate must withstand a shear load 240 pounds (109 kg) and a withdrawal force of 1560 lbf (708 kgf).

The wall fabrication and attachments to the building structure must be capable of withstanding a moment load of 1474 lbf ft (204 kgf m)



Caution

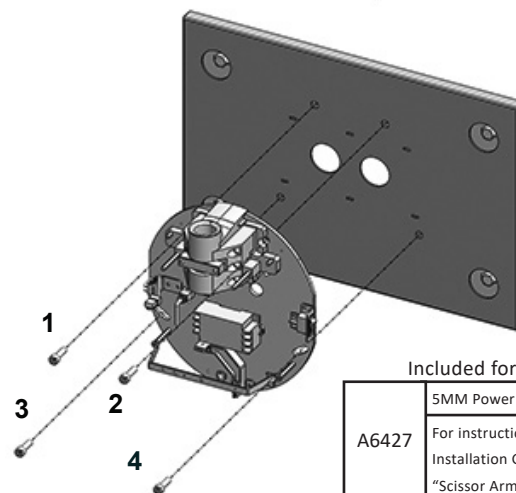
Kit is designed for use with wood wall studs and not intended to be used on any other installations.

Not for use with metal wall studs.

Never reuse old screw holes.

Supplied Contents of Kit P/N A6330

Part No.	Description	Qty
A6341	Wall Mounting Plate, 16" C To C and fastening hardware	1
A6343	Installation Template, 16" C To C Wall Mount	1
31547	Screw hole plugs	4



Included for Customer Convenience

A6427	SMM Power Ball-Hex T-Key Wrench
	For instructions for use, refer to the ProVecta HD Installation Guide (A6385) section titled "Scissor Arm Tension Alignment"

1295 Walt Whitman Road | Melville, New York 11747- 3062

Phone: 800-247-8324 | Fax: 888-247-8481

Website: www.airtechniques.com

